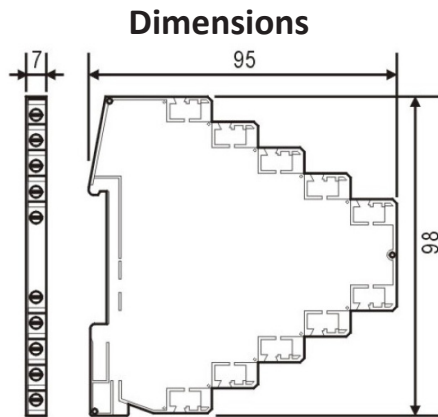


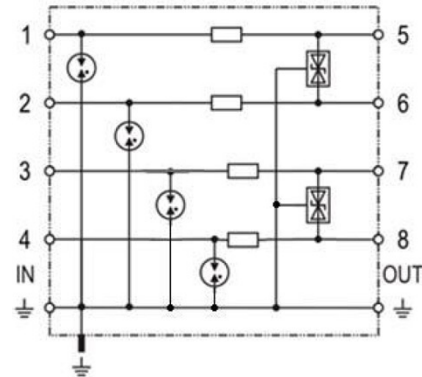
Data Network Protector Terminal Block Module ASIDMXX-S4

For use in category location B or C (ANSI/IEEE C62.41) or directly upstream near the protected devices.

- Data network protector in accordance with UL497B, IEC61643-21:2000+A1:2012
- Two stage protection circuit
- Four single line protection
- Two-pair line protection
- 35 mm DIN-rail mounting design
- Small size, only 7 mm wide module



Basic Circuit Diagram



Technical Data

Type:		ASIDM05-S4	ASIDM24-S4
Nominal Voltage	Vn	5Vdc	24Vdc
Rated Voltage (max, continuous dc)	Vc	6V	33V
Rated Voltage (max, continuous ac)	Vc	4.2V	23.3V
Nominal Current	In	0.7A	
Lightning Impulse Current (10/350µs) per line	limp	2kA	
Nominal Discharge Current (8/20µs) per line	In	5kA	
Nominal Discharge Current (8/20µs) Total	In	20kA	
Voltage Protection Level at In line-line	Vp	≤26V	≤55V
Voltage Protection Level at In line-PE		≤26V	≤55V
Voltage Protection Level at 1kV/µs line-line		≤11V	≤48V
Voltage Protection Level at 1kV/µs line-PE		≤11V	≤48V
Bandwidth line-line	fG	100MHz	
Series Impedance per Line	R	1Ω	
Capacitance line-line	C	≤20pF	
Capacitance line-PE	C	≤25pF	
Response Time line-line	Ta	≤1ns	
Operating Temperature Range	°C	-40 ~ +80	
Wire Size Range	AWG	28 ~ 12 solid / 14 flexible	
Mounting		35 mm DIN Rail	
Enclosure Material		Black Thermoplastic, UL 94-V0	

